

## HVH

### Horizontal or Vertical Discharge Fan Forced Unit Heater

- 2.6 - 50 kW
- 8,900 – 170,600 Btuh
- 208, 240, 277, 480, and 600 volt
- 1 or 3 phase
- Vertical or Horizontal Airflow
- Wall or Ceiling Mounted configurations
- CSA Certified to US and Canadian Standards

#### Description

The Chromalox HVH self-contained blower heater provides quiet, reliable, fan-forced heat for all types of commercial and industrial applications. The hallmark of the HVH blower heater is its versatility. It can provide vertical or horizontal airflow and can be mounted on walls or ceilings. Optional wall or ceiling swivel mounting brackets help direct airflow exactly where it is needed. Heavy-duty construction affords long, dependable service, while its two-tone gray polyester powder coat finish makes an attractive appearance.

#### Applications

- Shipping and Receiving Areas
- Pump Houses
- Power Generating Stations
- Aircraft Hangars
- Factories
- Warehouses
- Garages

#### Construction

**Cabinet** – Heavy 20-gauge steel, 2.6 to 15 kW models; 18-gauge steel, 25 to 50 kW models. Phosphate undercoated for corrosion resistance. Finished in a two-tone gray polyester powder coat.

**Louvers** – Individually adjustable. Direct airflow up or down as needed. Fintube® Heating Elements Corrosion resistant steel fins furnace-brazed to a tubular heating element, assuring long life and superior heat transfer.



**Fan Motor** – Totally enclosed fan motor is rated for continuous duty with built-in thermal cutout and operates on the same voltage as the heating circuit.

**Dynamically Balanced Fan** – Ensures smooth, quiet operation. Blade pitch is carefully selected so that the volume of air moved results in the optimum discharge air temperature. Pull-through airflow design draws air across heating elements for more even airflow distribution and cooler element operation.

#### Features

- **Integral 24V Control Transformer** is standard on 480V models and eliminates the need for an external control source (120V is optional).
- **Heavy Duty Magnetic Contactors** are standard on all models except 2.6 thru 5 kW single phase models, except for 480V models.
- **Linear Thermal Cutouts** open the control circuit and disconnect power to the heating elements if overheating occurs. Automatic Reset allows the control circuit to reclose and restore power when temperature returns to normal.
- **Field Convertible** — Combination 208/240V and 1 or 3 phase operation through 10 kW.

#### VERSATILE MOUNTING CONFIGURATIONS

##### Vertical Discharge

Recessed fasteners on the rear of the heater cabinet are internally threaded for suspension of unit in the vertical discharge mode with threaded rods.

**Horizontal Discharge Ceiling Bracket** – The ceiling bracket allows you mount the heater directly to the ceiling or over-head member, simply and easily. The swivel mounting allows you to readily adjust the direction of warm air flow for maximum comfort up to 180° rotation.

**Wall Mounting Bracket** – The wall mounting brackets permits the heater to be rotated to face any direction.

#### Factory Installed or Field Installation Kits

**Summer Fan Switch Kit** – Field installable for circulating warm, stratified air. Available for all models.

**Thermostat Kits** – Field installable on all models. Range 40° to 90°F / 4° to 32°C. Thermostats 55° to 105°F / 13° to 41°C also available.

**Disconnect Switch Kits** – Field-installable switch enables power to be disconnected while servicing heater. Mounts on the front of the heater.

**Outlet Screen** – Prevents objects from coming in contact with fan

#### Factory Installed options

- Pilot Light (recommended)
- Time Delay (heat on and off): Provides delay of fan operation until elements have warmed up. The fan stays on until cool.

#### Advantages

- Self Contained
- Versatile, Flexible and High Performance
- Easy Installation
- Minimum Maintenance
- Long Life
- Attractive Appearance

Because it has individually adjustable discharge louvers to direct air flow, and can be wall or ceiling (plus swivel) mounted, the HVH heater may be used in a variety of heating applications:

- Primary Heating
- Supplementary Heating
- Dual System Heating
- Spot Heating
- Entryway Air-Curtain Heating

## HVH

### Horizontal or Vertical Discharge Fan Forced Unit Heater (cont'd.)

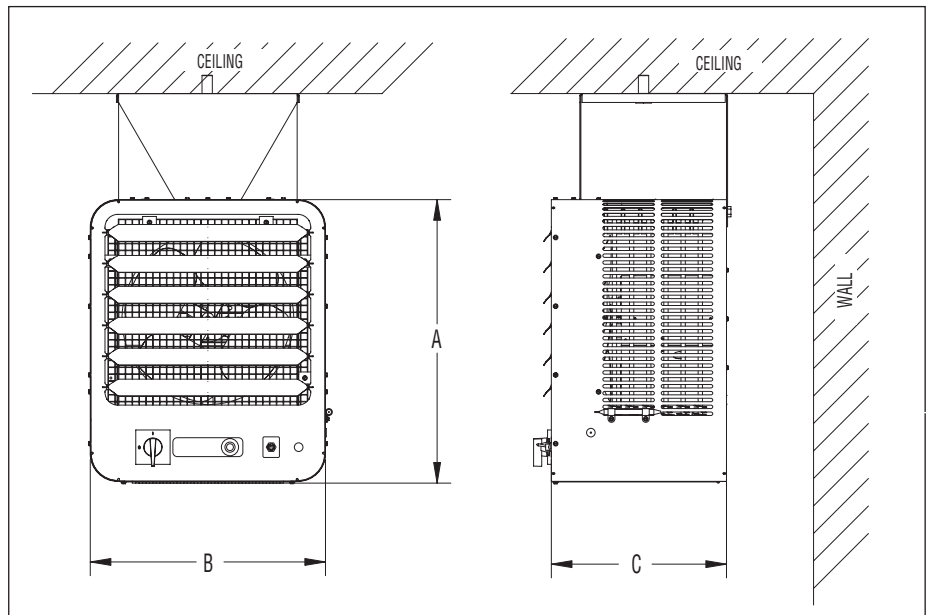
#### Thermostat Kits (40-90°F)

Model	Rating	PCN	Stock	Wt. (Lbs.)
TK-5	SPST	219475	S	0.25
TK-6	DPST	219483	S	0.25

#### Available Disconnect Switch Kits

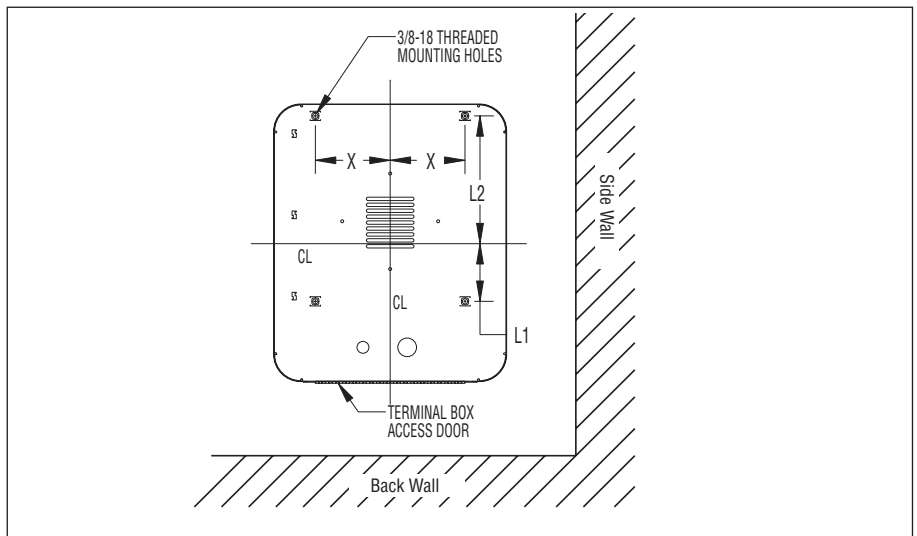
Model	Rating	PCN	Stock	Wt. (Lbs.)
HDS-1	50 Amps	219491	S	0.5
HDS-2	80 Amps	219790	NS	1.0
HDS-3	100 Amps	219803	NS	2.0

#### Horizontal Discharge



Heater	Dimensions (In.)		
	A	B	C
HVH-02 to 05 (Except 600 V)	16-1/8	13	10
HVH-07 to 15 (Except 600 V)	20-5/8	17-1/8	12-3/4
HVH 02 to 15 (600 V)	20-5/8	17-1/8	12-3/4
HVH-20 (All Voltages)	20-5/8	17-1/8	12-3/4
HVH-25 to 50 (All Voltages)	29-3/16	26-1/16	14-5/8

#### Rod Thread Type and Spacing Dimensions for Horizontal discharge



#### Mounting Limitations

**Hazardous Atmosphere** — Unit heaters should not be used in potentially explosive atmospheres. **Corrosive Atmosphere** — The finish is not intended for direct salt spray exposure in marine applications or the highly corrosive atmospheres of greenhouses, swimming pools, chemical storage bins, etc. **Mounting Height** — Do not install unit heaters above recommended maximum mounting height. Obstructions must not block unit heater air inlet or discharge.

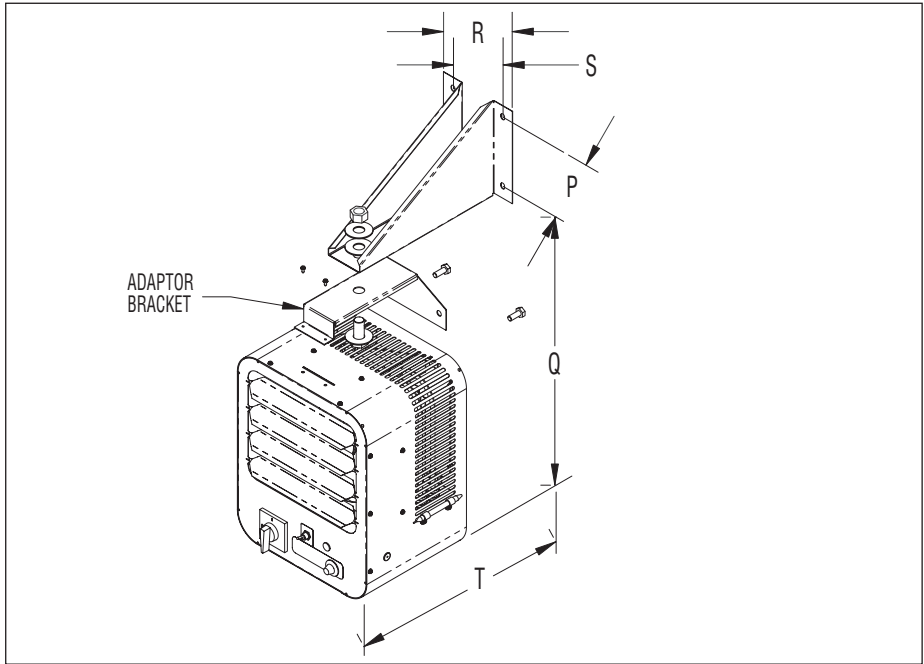
Unit	Rod Thread Type	Dimensions (In.)		
		L <sub>1</sub>	L <sub>2</sub>	X
2 to 5 kW	3/8 - 16	2-7/8	7-1/8	3-3/4
7-1/2 to 20 kW	3/8 - 16	4-5/16	9-3/8	5-1/2
25 to 50 kW	3/8 - 16	8-5/16	14	9-15/16

FORCED AIR

## HVH

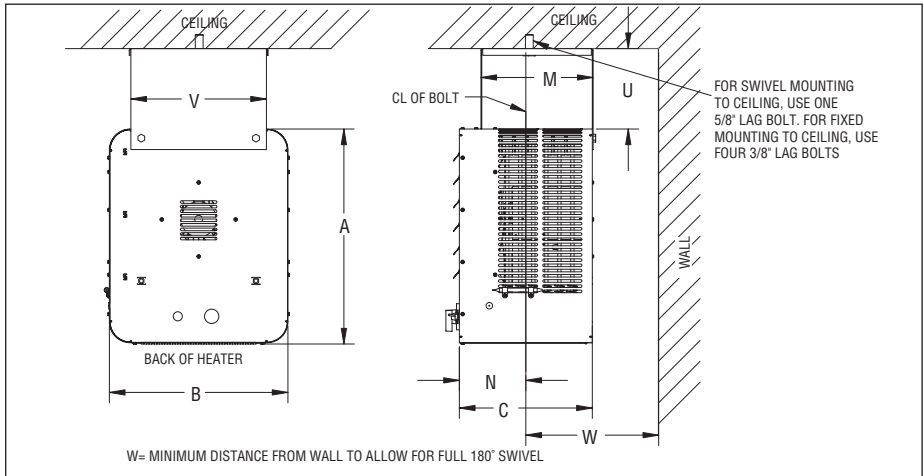
### Horizontal or Vertical Discharge Fan Forced Unit Heater *(cont'd.)*

#### Optional Wall Swivel Mounting Bracket



Bracket Model No.	Dimensions (In.)					Bracket Wt. (lbs.)	Use With
	P	Q	R	S	T		
HVW-1	6-1/6	18-7/8	7	5	17-5/8	4	HVH-02 to 05
HVW-2	6-1/6	23-1/4	7	5	18-5/8	6	HVH-07 to 15
HVW-3	6	23-7/16	7	5	20-1/16	6	HVH-02 to 15 (600 V), HVH-20 (All Voltages)
HVW-4	6	23-13/16	10-3/8	8-1/2	22-7/16	27	HVH-25 to 50

#### Optional Ceiling Swivel Mounting Bracket



Bracket Model No.	Dimensions (In.)								Bracket Wt. (lbs.)	Use With
	A	B	C	M	N	U	V	W		
HVC-1	16-1/8	13	10	8-3/8	5-3/4	7-3/4	9-3/4	12	4	HVH-02, 04, 05
HVC-2	20-5/8	17-1/8	12-3/4	10-3/4	6-3/4	7-3/4	12	12	8	HVH-07, 10, 12, 15
HVC-3	20-5/8	17-1/8	14-1/16	12-1/16	8-1/16	7-3/4	13-5/16	8	8	HVH-02 to 15 (600V) HVH-20 (All Voltages)
HVC-4	29-13/16	26-1/16	14-5/8	11-3/4	8-3/16	7-3/4	22-5/16	8-7/16	17	HVH-25 to 50

#### Optional Fan Only Kits

Description	Model	PCN	Stock	Wt. (lbs.)
Fan switch (no relay)	HVF-01	219504	S	0.25
Fan switch (24V relay)	HVF-02	219512	NS	0.5
Fan switch (120V relay)	HVF-03	219520	NS	0.5

## HVH Horizontal or Vertical Discharge Fan Forced Unit Heater *(cont'd.)*

Electrical (60 Hz)					Motor				CFM	Air Delivery			Mtg. <sup>5</sup> Height (Ft.)	Ordering			
kW	Volts	Ckt & Phase	Amps <sup>4</sup>	Control Volts	Volts	Phase	HP	RPM		FPM	Temp. Rise (°F)	Horiz. Throw (Ft.)		Model	Stock	PCN	Wt. (Lbs.)
2.6	208	1-1	13.1	N/A	208	1	1/40	1,650	410	880	21/-6	12/4	8/2	HVH-02-81-00	S	219096	32/15
2/2.6	208/240	1-1	11.4 <sup>2</sup>	N/A	240	1	1/40	1,650	410	880	21/-6	12/4	8/2	HVH-02-21-00	S	219019	32/15
2.6	277	1-1	9.6	N/A	277	1	1/30	1,550	360	770	24/-6	12/4	8/2	HVH-02-71-00	S	219117	32/15
4	208	1-1	19.8	N/A	208	1	1/40	1,650	410	880	31/0	12/4	8/2	HVH-04-81-00	S	219125	32/15
4	208	1-3 <sup>3</sup>	11.7	208/240	208	1	1/40	1,650	410	880	31/0	12/4	8/2	HVH-04-83-34	S	219133	32/15
3/4	208/240	1-1	17.2 <sup>2</sup>	N/A	240	1	1/40	1,650	410	880	31/0	12/4	8/2	HVH-04-21-00	S	219141	32/15
3/4	208/240	1-3	10.2 <sup>2</sup>	208/240	240	1	1/40	1,650	410	880	31/0	12/4	8/2	HVH-04-23-34	S	219150	32/15
4	277	1-1	14.6	N/A	277	1	1/30	1,550	360	770	35/2	12/4	8/2	HVH-04-71-00	S	219168	32/15
4	480	1-3	5.1	24	480	1	1/35	1,550	380	815	33/1	12/4	8/2	HVH-04-43-30	S	219176	32/15
5	208	1-1	24.6	N/A	208	1	1/40	1,650	410	880	39/4	12/4	8/2	HVH-05-81-00	S	219184	32/15
5	208	1-3 <sup>3</sup>	14.5	208/240	208	1	1/40	1,650	410	880	39/4	12/4	8/2	HVH-05-83-34	S	219192	32/15
3.75/5	208/240	1-1	21.4	N/A	240	1	1/40	1,650	410	880	39/4	12/4	8/2	HVH-05-21-00	S	219205	32/15
3.75/5	208/240	1-3 <sup>3</sup>	12.6	208/240	240	1	1/40	1,650	410	880	39/4	12/4	8/2	HVH-05-23-34	S	219213	32/15
5	277	1-1	18.3	N/A	277	1	1/30	1,550	360	770	44/7	12/4	8/2	HVH-05-71-00	S	219221	32/15
5	480	1-3	6.3	24	480	1	1/35	1,550	380	815	42/6	12/4	8/2	HVH-05-43-30	S	219230	32/15
7.5	208	1-1 <sup>3</sup>	36.5	208/240	208	1	1/15	1,725	850	1,040	28/-2	27/8	8/2	HVH-07-81-34	S	219248	50/23
7.5	208	1-3	21.3	208/240	208	1	1/15	1,725	850	1,040	28/-2	27/8	8/2	HVH-07-83-34	S	219256	50/23
5.6/7.5	208/240	1-1 <sup>3</sup>	31.7 <sup>2</sup>	208/240	240	1	1/15	1,725	850	1,040	28/-2	27/8	8/2	HVH-07-21-34	S	219264	50/23
5.6/7.5	208/240	1	18.5 <sup>2</sup>	208/240	240	1	1/15	1,725	850	1,040	28/-2	27/8	8/2	HVH-07-23-34	S	219272	50/23
7.5	277	1-1	27.7	24	277	1	1/15	1,550	750	920	32/0	27/8	8/2	HVH-07-71-30	S	219280	50/23
7.5	480	1-3	9.9	24	480	3	1/15	1,725	850	1,040	28/-2	27/8	8/2	HVH-07-43-30	S	219299	50/23
7.5	600	1-3	7.6	24	575	3	1/3	1,725	850	1,040	28/-2	27/8	8/2	HVH-07-63-30	NS	—	50/23
9.7	208	1-1 <sup>3</sup>	47.1	208/240	208	1	1/15	1,725	850	1,040	37/3	27/8	9/3	HVH-10-81-34	S	219301	50/23
9.7	208	1-3	27.4	208/240	208	1	1/15	1,725	850	1,040	37/3	27/8	9/3	HVH-10-83-34	S	219310	50/23
7.5/10	208/240	1-1 <sup>3</sup>	42.1 <sup>2</sup>	208/240	240	1	1/15	1,725	850	1,040	37/3	27/8	9/3	HVH-10-21-34	S	219328	50/23
7.5/10	208/240	1-3	24.5 <sup>2</sup>	208/240	240	1	1/15	1,725	850	1,040	37/3	27/8	9/3	HVH-10-23-34	S	219336	50/23
10	480	1-3	12.9	24	480	3	1/15	1,725	850	1,040	37/3	27/8	9/3	HVH-10-43-30	S	219344	50/23
10	600	1-3	10.6	24	575	3	1/3	1,725	850	1,040	37/3	27/8	9/3	HVH-10-63-30	NS	—	50/23
12.5	208	1-3	35.2	208/240	208	1	1/15	1,725	850	1,040	47/8	27/8	9/3	HVH-12-83-34	S	219352	50/23
9.3/12.5	208/240	1-3	30.6	208/240	240	1	1/15	1,725	850	1,040	47/8	27/8	9/3	HVH-12-23-34	S	219360	50/23
12.5	480	1-3	15.9	24	480	3	1/15	1,725	850	1,040	47/8	27/8	9/3	HVH-12-43-30	S	219379	50/23
12.5	600	1-3	12.6	24	575	3	1/3	1,725	850	1,040	47/8	27/8	9/3	HVH-12-63-30	NS	—	50/23
15	208	1-3	42.1	208/240	208	1	1/15	1,725	850	1,040	56/13	27/8	10/3	HVH-15-83-34	S	219387	50/23
11.25/15	208/240	1-3	36.6 <sup>2</sup>	208/240	240	1	1/15	1,725	850	1,040	56/13	27/8	10/3	HVH-15-23-34	S	219395	50/23
15	480	1-3	19.0	24	480	3	1/15	1,725	850	1,040	56/13	27/8	10/3	HVH-15-43-30	S	219408	50/23
15	600	1-3	15.6	24	575	3	1/3	1,725	850	1,040	56/13	27/8	10/3	HVH-15-63-30	NS	—	50/23
14.7/19.8	208/240	1-3	47.7	24	240	3	1/3	1,725	1,500	1,750	49/9	27/8	13/4	HVH-20-23-30	NS	219563	65/30
19.8	480	1-3	23.9	24	480	3	1/3	1,725	1,500	1,750	49/9	27/8	13/4	HVH-20-43-30	NS	219571	65/30
19.8	600	1-3	19.4	24	575	3	1/3	1,725	1,500	1,750	49/9	27/8	13/4	HVH-20-63-30	NS	219580	65/30
18.7/24.9	208/240	1-3	60.1	24	240	3	1/3	1,725	2,500	1,650	27/-3	36/11	13/4	HVH-25-23-30	NS	219598	90/41
25.0	480	1-3	30.2	24	480	3	1/3	1,725	2,500	1,650	27/-3	36/11	13/4	HVH-25-43-30	NS	219600	90/41
25.0	600	1-3	24.3	24	575	3	1/3	1,725	2,500	1,650	27/-3	36/11	13/4	HVH-25-63-30	NS	219619	90/41
22.4/29.9	208/240	1-3	72	24	240	3	1/3	1,725	2,500	1,650	34/1	36/11	13/4	HVH-30-23-30	NS	219627	90/41
30.0	480	1-3	36.2	24	480	3	1/3	1,725	2,500	1,650	34/1	36/11	13/4	HVH-30-43-30	NS	219635	90/41
30.0	600	1-3	29	24	575	3	1/3	1,725	2,500	1,650	34/1	36/11	13/4	HVH-30-63-30	NS	219643	90/41
25.6/34.0	208/240	1-3	82.1	24	240	3	1/3	1,725	3,100	2,100	40/4	36/11	13/4	HVH-35-23-30	NS	219651	90/41
34.0	480	1-3	41.1	24	480	3	1/3	1,725	3,100	2,100	40/4	36/11	13/4	HVH-35-43-30	NS	219660	90/41
34.2	600	1-3	33	24	575	3	1/3	1,725	3,100	2,100	40/4	36/11	13/4	HVH-35-63-30	NS	219678	90/41
28.1/37.4	208/240	1-3	90.1	24	240	3	1/3	1,725	3,100	2,100	45/7	36/11	16/5	HVH-40-23-30	NS	219686	100/45
37.4	480	1-3	45.1	24	480	3	1/3	1,725	3,100	2,100	45/7	36/11	16/5	HVH-40-43-30	NS	219694	100/45
37.5	600	1-3	36.2	24	575	3	1/3	1,725	3,100	2,100	45/7	36/11	16/5	HVH-40-63-30	NS	219707	100/45
33.7/44.8	208/240	1-3	108	24	240	3	1/3	1,725	3,100	2,100	51/11	36/11	16/5	HVH-45-23-30	NS	219715	100/45
44.8	480	1-3	54	24	480	3	1/3	1,725	3,100	2,100	51/11	36/11	16/5	HVH-45-43-30	NS	219723	100/45
45.2	600	1-3	43.6	24	575	3	1/3	1,725	3,100	2,100	51/11	36/11	16/5	HVH-45-63-30	NS	219731	100/45
38.4/51.1	208/240	1-3	123.1	24	240	3	1/3	1,725	3,100	2,100	57/14	36/11	16/5	HVH-50-23-30	NS	219740	100/45
51.1	480	1-3	61.6	24	480	3	1/3	1,725	3,100	2,100	57/14	36/11	16/5	HVH-50-43-30	NS	219758	100/45
51.3	600	1-3	49.5	24	575	3	1/3	1,725	3,100	2,100	57/14	36/11	16/5	HVH-50-63-30	NS	219766	100/45

**FORCED AIR**

**Stock Status:** S = Stock AS = Assembly Stock NS = Non-Stock.  
**To order specify** model, PCN, kW, volts, phase and quantity.

1. For motor data, see table.
2. 208V amperage is 86% of 240V value.
3. Models can be field wired for 1 or 3 phase.
4. Includes motor amps.
5. Max. mounting height for effective heat distribution. Min. height is 7 feet.

**Other Notes:**

- A. All heaters have built-in contactors except 2.6 kW thru 5 kW single phase models, and stock 480V models have built-in control transformers and contactors with 24V holding coils. Stock 208V and 240V, 3 phase models, 4 kW through 15 kW, have 208/240V holding coils while stock 208V and 240V 3 phase models above 15 kW have 24V holding coils. All stock 277V models have 277V holding coils.
- B. Optional contactors holding coil voltages of 24V or 120V and control voltage transformers, are available as made-to-order models for all heater ratings.

## HVH Horizontal or Vertical Discharge Fan Forced Unit Heater *(cont'd.)*

### Recommended Control Options

Heater		Field-Installed Options																	Factory Installable Options			
		Wall Bracket Options				Ceiling Bracket Options				Outlet Screen Options			Thermostat Options		Disconnect Options			Fan Switch Options				
Model No.	PCN	HVW-1 219416	HVW-2 219424	HVW-3 219782	HVW-4 219820	HVC-1 219432	HVC-2 219440	HVC-3 219811	HVC-4 219838	HVS-1 219459	HVS-2 219467	HVS-3 219774	TK-5 219475	TK-6 219483	HDS-1 219491	HDS-2 219790	HDS-3 219803	HVF-01 219504	HVF-02 219512	HFD-1 <sup>A</sup>	PL-1 <sup>B</sup>	
HVH-02-81-00	219096	X				X				X				X	X							X
HVH-02-21-00	219109	X				X				X				X	X							X
HVH-02-71-00	219117	X				X				X				X	X							
HVH-04-81-00	219125	X				X				X				X	X							X
HVH-04-83-34	219133	X				X				X			X		X			X		X	X	X
HVH-04-21-00	219141	X				X				X				X	X							X
HVH-04-23-34	219150	X				X				X			X		X			X		X	X	X
HVH-04-71-00	219168	X				X				X				X	X							X
HVH-04-43-30	219176	X				X				X			X		X			X		X	X	X
HVH-05-81-00	219184	X				X				X				X	X							X
HVH-05-83-34	219192	X				X				X			X		X			X				X
HVH-05-21-00	219205	X				X				X				X	X							X
HVH-05-23-34	219213	X				X				X			X		X			X				X
HVH-05-71-00	219221	X				X				X			X		X							X
HVH-05-43-30	219230	X				X				X			X		X			X		X	X	X
HVH-07-81-34	219248		X				X				X		X		X			X				X
HVH-07-83-34	219256		X				X				X		X		X			X				X
HVH-07-21-34	219264		X				X				X		X		X			X				X
HVH-07-23-34	219272		X				X				X		X		X			X				X
HVH-07-71-30	219280		X				X				X		X		X			X				X
HVH-07-43-30	219299		X				X				X		X		X			X				X
HVH-10-81-34	219301		X				X				X		X		X			X				X
HVH-10-83-34	319310		X				X				X		X		X			X	X	X	X	X
HVH-10-21-34	219328		X				X				X		X		X			X				X
HVH-10-23-34	219336		X				X				X		X		X			X				X
HVH-10-43-30	219344		X				X				X		X		X			X				X
HVH-12-83-34	219352		X				X				X		X		X			X	X	X	X	X
HVH-12-23-34	219360		X				X				X		X		X			X				X
HVH-12-43-30	219379		X				X				X		X		X			X				X
HVH-15-83-34	219387		X				X				X		X		X			X	X	X	X	X
HVH-15-23-34	219395		X				X				X		X		X			X				X
HVH-15-43-30	219408		X				X				X		X		X			X				X
HVH-20-23-30	219563			X				X			X		X		X			X	X	X	X	X
HVH-20-43-30	219571			X				X			X		X		X			X				X
HVH-20-63-30	219580			X				X			X		X		X			X				X
HVH-25-23-30	219598				X				X		X		X			X		X			X	X
HVH-25-43-30	219600				X				X		X		X		X			X			X	X
HVH-25-63-30	219619				X				X		X		X		X			X			X	X
HVH-30-23-30	219627				X				X		X		X			X		X			X	X
HVH-30-43-30	219635				X				X		X		X		X			X			X	X
HVH-30-63-30	219643				X				X		X		X		X			X			X	X
HVH-35-23-30	219651				X				X		X		X				X	X			X	X
HVH-35-43-30	219660				X				X		X		X		X			X			X	X
HVH-35-63-30	219678				X				X		X		X		X			X			X	X
HVH-40-23-30	219686				X				X		X		X				X	X			X	X
HVH-40-43-30	219694				X				X		X		X		X			X			X	X
HVH-40-63-30	219707				X				X		X		X		X			X			X	X
HVH-45-23-30 <sup>C</sup>	219715				X				X		X		X					X			X	X
HVH-45-43-30	219723				X				X		X		X				X	X			X	X
HVH-45-63-30	219731				X				X		X		X				X	X			X	X
HVH-50-23-30 <sup>C</sup>	219740				X				X		X		X					X			X	X
HVH-50-43-30	219758				X				X		X		X				X	X			X	X
HVH-50-63-30	219766				X				X		X		X				X	X			X	X

- Notes:**
- A. HFD-1 is a fan delay on/off relay. Fan delay is standard on heaters 20 kW and above.
  - B. PL-1 is a green pilot light indicating power to heater.
  - C. Disconnect switch not available.

## HVH Horizontal or Vertical Discharge Fan Forced Unit Heater *(cont'd.)*

When ordering HVH heaters, specify the model number and corresponding PCN (Product Code Number). If controls (thermostat, fan switch, transformer, disconnect) or other options are required, designate these options in the model number when ordering, as shown below. Always specify voltage, phase and kW by listing them on the purchase order specifications.

HVH		Horizontal or Vertical Discharge Blower Heater	
<b>kW</b>			
<b>02</b>	2.6 kW	<b>20</b>	19.8 kW
<b>04</b>	4.0 kW	<b>25</b>	25.0 kW
<b>05</b>	5.0 kW	<b>30</b>	30.0 kW
<b>07</b>	7.5 kW	<b>35</b>	33.3 kW
<b>10</b>	10.0 kW	<b>40</b>	37.5 kW
<b>12</b>	12.5 kW	<b>45</b>	45.0 kW
<b>15</b>	15.0 kW	<b>50</b>	50.0 kW
<b>Volts</b>			
<b>2</b>	240V		
<b>4</b>	480V		
<b>6</b>	600V		
<b>7</b>	277V		
<b>8</b>	208V		
<b>A</b>	220V		
<b>B</b>	380V		
<b>C</b>	400V		
<b>D</b>	415V		
<b>Phase</b>			
<b>1</b>	1		
<b>3</b>	3		
<b>Control</b>			
<b>00</b>	No Contactor		
<b>30</b>	Contactor with 24V Transformer		
<b>31</b>	Contactor with 24V Externally Supplied		
<b>32</b>	Contactor with 120V Transformer		
<b>33</b>	Contactor with 120V Externally Supplied		
<b>34</b>	Contactor with 208/240V Internally Supplied		
<b>35</b>	Contactor with 277V Internally Supplied		
<b>Integral Thermostat</b>			
<b>0</b>	None		
<b>TL</b>	40-90°F Range		
<b>TH</b>	55-105°F Range		
<b>Disconnect Switch</b>			
<b>0</b>	None		
<b>D</b>	Yes		
<b>Fan Only Switch</b>			
<b>00</b>	None		
<b>FI</b>	Internal (In Heater)		
<b>FE</b>	External (On Wall)		
<b>Time Delay</b>			
<b>0</b>	None		
<b>R</b>	Yes		
<b>Pilot Light</b>			
<b>0</b>	None		
<b>P</b>	Yes		
<b>Outlet Screen</b>			
<b>0</b>	None		
<b>S</b>	Yes		

**FORCED AIR**

Sales • Engineering  
"Heat and Control  
Specialists"



### **GORDO SALES, INC.**

P.O. Box 1166 Layton, UT 84041  
Phone: 801-544-4236 Fax: 888-264-0740  
<http://www.gordosales.com>  
[lhuggins@gordosales.com](mailto:lhuggins@gordosales.com)

HVH 05 2 1 34 TL D FI -0 -0 -0 Typical Model Number