

HD3D

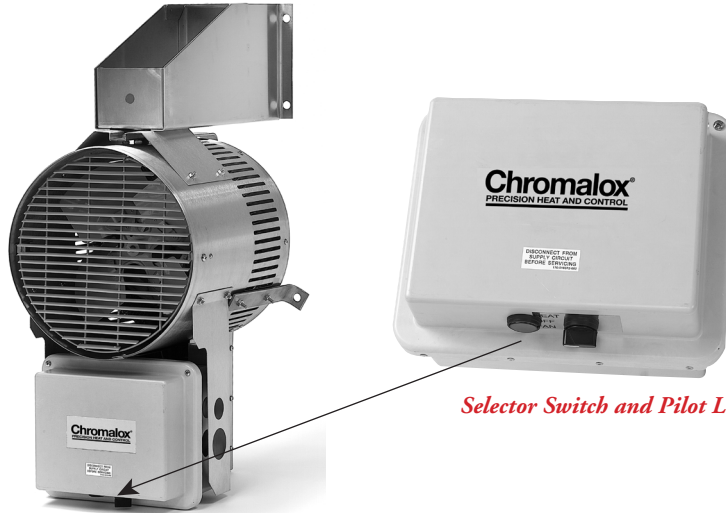
Hose Down Corrosion Resistant Blower Heater

- 2 - 39 kW
- 6,800 - 133,110 Btuh
- 120, 208, 240, 277, 480 and 575 Volt
- 1 & 3 Phase
- Built-in Controls
- Vertical or Horizontal Airflow
- Wall or Ceiling Mounted Configurations

Advantages

Because it has an adjustable discharge grille to direct air flow, and can be wall or ceiling (plus swivel) mounted, the HD3D heater may be used in a variety of heating applications:

- Primary Heating
- Supplementary Heating
- Dual System Heating
- Spot Heating
- Entryway Air-Curtain Heating
- Freeze Protection



Selector Switch and Pilot Light



Description

This reliable, rugged, self-contained HD3D heater is an ideal heat source for freeze protection or comfort heat in dusty/dirty/corrosive non-hazardous environments. Standard HD3D heaters include low profile stainless steel wall/ceiling mounting brackets that can be used to mount directly to a wall for horizontal airflow perpendicular to the wall. These brackets can also be used to mount the heater directly to the ceiling for vertical airflow.

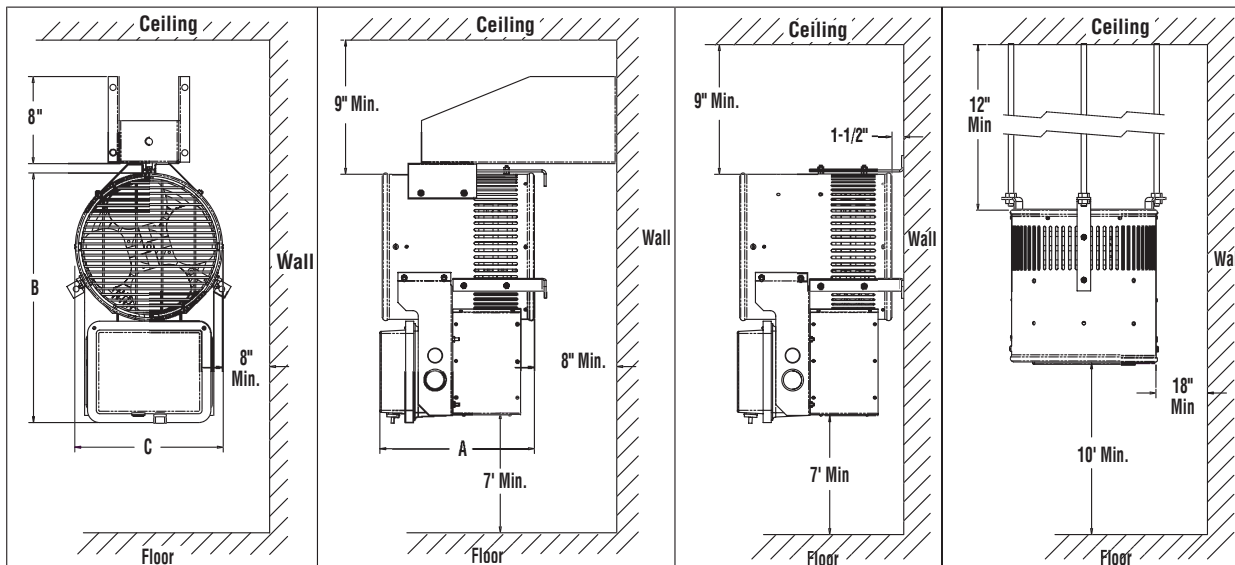
Applications

Waste Water Treatment Plants, Coal Handling Areas, Food Processing Plants, Foundries, Steel Mills, Cement Plants, Ships, Construction Sites, Car Washes, Swimming Pool Areas, Canneries, Hose Down (for cleaning). Corrosion Resistant for Harsh Environments and Dairies.

Dimensions (Inches)

| kW | Volts | Phase | A | B | C |
|-------------|----------|-------|--------|--------|--------|
| 2.0 - 7.5 | All | 1, 3 | 13-1/2 | 24-1/2 | 15 |
| 10.0 - 20.0 | All | 1, 3 | 17-1/4 | 28 | 15-1/8 |
| 25.0 - 39.0 | 480, 575 | 3 | 21-1/4 | 32-1/4 | 19-1/2 |

Dimensions (Inches)



HD3D Hose Down Corrosion Resistant Blower Heater (cont'd.)

Construction

Roll Formed Case is constructed of 20 gauge corrosion resistant type 304 stainless steel.

Adjustable Discharge Grille directs air flow up or down as needed.

NEMA 4X Control Enclosure houses the heater controls, contactors and control voltage transformer, easily accessible from front of heater.

Heating Elements — High quality, long-life, Stainless Steel Fintube® (type 316) offers maximum resistance to corrosion.

Totally Enclosed Motor — The motor is permanently lubricated, ball bearing type and is epoxy painted for moisture and corrosion resistance.

Dynamically Balanced Fan — Aluminum fan is epoxy coated and provides optimum air flow across the heating elements.

Features

Transformer provides a 120V control circuit (24V optional). Standard on all units except 2 kW and 3 kW, 120V.

Heavy Duty Contactors for heating circuit and motor are included. (Not furnished on 120V, 2 and 3 kW units)

Automatic Reset Thermal Cutout is provided for fast heat response and overheat protection.

Fan Time Delay Relay dissipates residual heat build-up after shutdown.

Low Profile Fixed Wall & Ceiling Mounting Bracket (Non Swiveling)

Optional Features

- Integral Thermostat*
 - 40°F to 90°F (This Thermostat Range Supplied Unless Otherwise Specified)
 - 55°F to 105°F
- Pilot Light*
 - Green Indicates Power On
- Selector Switch (3 position) — Heater On,* Off or Fan Only Operation for Heater
- Manual Reset Cutout
- Epoxy Painted Stainless Steel Case
- 24V Control Circuit

Accessories

Universal Swivel Wall & Ceiling Brackets Ordering Information

| Model | PCN | Used With | Stock Status |
|-------|--------|-------------------|--------------|
| USB-1 | 520604 | HD3D 200 to 750 | S |
| USB-2 | 520612 | HD3D 1000 to 2000 | S |
| USB-3 | 520620 | HD3D 2500 to 4000 | S |

External Drip Shields Ordering Information

| Model | PCN | Used With | Stock Status |
|---------|--------|-------------------|--------------|
| HD3DS-1 | 520639 | HD3D 200 to 750 | S |
| HD3DS-2 | 520647 | HD3D 1000 to 2000 | S |
| HD3DS-3 | 520655 | HD3D 2500 to 4000 | S |

Field Installable Disconnect Kit

The disconnect kit consists of a complete liquid tight assembly, including a 3-pole 48 Amp Switch, power terminal block and all the hardware to mount to the main heater enclosure. Positive action to remove all power from enclosure.

Ordering Information

| Model | PCN | Used With | Stock Status |
|---------|--------|-----------|--------------|
| DS-50HD | 520663 | All | S |

Sales • Engineering

“Heat and Control
Specialists”



GORDO SALES, INC.

P.O. Box 1166 Layton, UT 84041
Phone: 801-544-4236 Fax: 888-264-0740
<http://www.gordosales.com>
lhuggins@gordosales.com

HD3D

Hose Down Corrosion Resistant Blower Heater (cont'd.)

Specifications and Ordering Information

| Electrical (60 Hz) | | | | Motor | | | | Air Delivery | | | | | Ordering | | | |
|--------------------|-------|-------|------|-------|-------|------|-------|--------------|------|-----------------|--------------------|---------------------|-----------------------------------|----------|---------------|------------|
| kW | Volts | Phase | Amps | Volts | Phase | HP | RPM | CFM | FPM | Temp. Rise (°F) | Horiz. Throw (Ft.) | Mtg. Height** (Ft.) | Model | Stock | PCN | Wt. (Lbs.) |
| 2 | 120 | 1 | 16.7 | 115 | 1 | 1/15 | 1,050 | 405 | 430 | 21 | 12 | 7 | HD3D-200 | NS | 520014 | 45 |
| 2 | 208 | 1 | 9.6 | 208 | 1 | 1/15 | 1,050 | 405 | 430 | 21 | 12 | 7 | HD3D-200 | NS | 520022 | 45 |
| 2 | 240 | 1 | 8.3 | 240 | 1 | 1/15 | 1,050 | 405 | 430 | 21 | 12 | 7 | HD3D-200 | NS | 520030 | 45 |
| 2 | 277 | 1 | 7.2 | 277 | 1 | 1/15 | 1,050 | 405 | 430 | 21 | 12 | 7 | HD3D-200 | NS | 520049 | 45 |
| 3 | 120 | 1 | 25.0 | 115 | 1 | 1/15 | 1,050 | 405 | 430 | 31 | 12 | 7 | HD3D-300 | NS | 520057 | 45 |
| 3 | 208 | 1 | 14.4 | 208 | 1 | 1/15 | 1,050 | 405 | 430 | 31 | 12 | 7 | HD3D-300 | NS | 520065 | 45 |
| 3 | 240 | 1 | 12.5 | 240 | 1 | 1/15 | 1,050 | 405 | 430 | 31 | 12 | 7 | HD3D-300 | NS | 520073 | 45 |
| 3 | 277 | 1 | 10.8 | 277 | 1 | 1/15 | 1,050 | 405 | 430 | 31 | 12 | 7 | HD3D-300 | NS | 520081 | 45 |
| 5 | 208 | 1 | 24.0 | 208 | 1 | 1/15 | 1,050 | 405 | 430 | 40 | 12 | 7 | HD3D-500 | NS | 520090 | 50 |
| 5 | 240 | 1 | 20.8 | 240 | 1 | 1/15 | 1,050 | 405 | 430 | 40 | 12 | 7 | HD3D-500 | NS | 520102 | 50 |
| 5 | 277 | 1 | 18.1 | 277 | 1 | 1/15 | 1,050 | 405 | 430 | 40 | 12 | 7 | HD3D-500 | NS | 520110 | 50 |
| 5 | 480 | 1 | 10.4 | 480 | 1 | 1/15 | 1,050 | 405 | 430 | 40 | 12 | 7 | HD3D-500 | NS | 520129 | 50 |
| 5 | 208 | 3 | 13.9 | 208 | 1 | 1/15 | 1,050 | 405 | 430 | 40 | 12 | 7 | HD3D-500 | NS | 520137 | 50 |
| 5 | 240 | 3 | 12.0 | 240 | 1 | 1/15 | 1,050 | 405 | 430 | 40 | 12 | 7 | HD3D-500 | NS | 520145 | 50 |
| 5 | 480 | 3 | 6.0 | 480 | 1 | 1/15 | 1,050 | 405 | 430 | 40 | 12 | 7 | HD3D-500[†] | S | 520153 | 50 |
| 5 | 480 | 3 | 6.0 | 480 | 1 | 1/15 | 1,050 | 405 | 430 | 40 | 12 | 7 | HD3D-500 TSP^{**} | S | 520161 | 51 |
| 5 | 575 | 3 | 5.0 | 575 | 1 | 1/15 | 1,050 | 405 | 430 | 40 | 12 | 7 | HD3D-500 | NS | 520170 | 50 |
| 7.5 | 208 | 1 | 36.1 | 208 | 1 | 1/15 | 1,050 | 590 | 640 | 37 | 13 | 7 | HD3D-750 | NS | 520188 | 50 |
| 7.5 | 240 | 1 | 31.3 | 240 | 1 | 1/15 | 1,050 | 590 | 640 | 37 | 13 | 7 | HD3D-750 | NS | 520196 | 50 |
| 7.5 | 277 | 1 | 27.1 | 277 | 1 | 1/15 | 1,050 | 590 | 640 | 37 | 13 | 7 | HD3D-750 | NS | 520209 | 50 |
| 7.5 | 480 | 1 | 15.6 | 480 | 1 | 1/15 | 1,050 | 590 | 640 | 37 | 13 | 7 | HD3D-750 | NS | 520217 | 50 |
| 7.5 | 208 | 3 | 20.8 | 208 | 1 | 1/15 | 1,050 | 590 | 640 | 37 | 13 | 7 | HD3D-750 | NS | 520225 | 50 |
| 7.5 | 240 | 3 | 18.1 | 240 | 1 | 1/15 | 1,050 | 590 | 640 | 37 | 13 | 7 | HD3D-750 | NS | 520233 | 50 |
| 7.5 | 480 | 3 | 9.0 | 480 | 1 | 1/15 | 1,050 | 590 | 640 | 37 | 13 | 7 | HD3D-750[†] | S | 520241 | 50 |
| 7.5 | 480 | 3 | 9.0 | 480 | 1 | 1/15 | 1,050 | 590 | 640 | 37 | 13 | 7 | HD3D-750 TSP^{**} | S | 520250 | 51 |
| 7.5 | 575 | 3 | 7.5 | 575 | 1 | 1/15 | 1,050 | 590 | 640 | 37 | 13 | 7 | HD3D-750 | NS | 520268 | 50 |
| 10 | 240 | 1 | 41.7 | 240 | 1 | 1/15 | 1,050 | 1,180 | 800 | 28 | 40 | 7 | HD3D-1000 | NS | 520276 | 60 |
| 10 | 277 | 1 | 36.1 | 277 | 1 | 1/15 | 1,050 | 1,180 | 800 | 28 | 40 | 7 | HD3D-1000 | NS | 520284 | 60 |
| 10 | 480 | 1 | 20.8 | 480 | 1 | 1/15 | 1,050 | 1,180 | 800 | 28 | 40 | 7 | HD3D-1000 | NS | 520292 | 60 |
| 10 | 208 | 3 | 27.8 | 208 | 1 | 1/15 | 1,050 | 1,180 | 800 | 28 | 40 | 7 | HD3D-1000 | NS | 520305 | 60 |
| 10 | 240 | 3 | 24.1 | 240 | 1 | 1/15 | 1,050 | 1,180 | 800 | 28 | 40 | 7 | HD3D-1000 | NS | 520313 | 60 |
| 10 | 480 | 3 | 12.0 | 480 | 1 | 1/15 | 1,050 | 1,180 | 800 | 28 | 40 | 7 | HD3D-1000[†] | S | 520321 | 60 |
| 10 | 480 | 3 | 12.0 | 480 | 1 | 1/15 | 1,050 | 1,180 | 800 | 28 | 40 | 7 | HD3D-1000 TSP^{**} | S | 520330 | 61 |
| 10 | 575 | 3 | 10.1 | 575 | 1 | 1/15 | 1,050 | 1,180 | 800 | 28 | 40 | 7 | HD3D-1000 | NS | 520348 | 60 |
| 12.5 | 277 | 1 | 45.1 | 277 | 1 | 1/15 | 1,050 | 1,180 | 800 | 36 | 40 | 7 | HD3D-1250 | NS | 520356 | 60 |
| 12.5 | 480 | 1 | 26.0 | 480 | 1 | 1/15 | 1,050 | 1,180 | 800 | 36 | 40 | 7 | HD3D-1250 | NS | 520364 | 60 |
| 12.5 | 208 | 3 | 34.7 | 208 | 1 | 1/15 | 1,050 | 1,180 | 800 | 36 | 40 | 7 | HD3D-1250 | NS | 520372 | 60 |
| 12.5 | 240 | 3 | 30.1 | 240 | 1 | 1/15 | 1,050 | 1,180 | 800 | 36 | 40 | 7 | HD3D-1250 | NS | 520380 | 60 |
| 12.5 | 480 | 3 | 15.1 | 480 | 1 | 1/15 | 1,050 | 1,180 | 800 | 36 | 40 | 7 | HD3D-1250 | NS | 520399 | 60 |
| 12.5 | 575 | 3 | 12.6 | 575 | 1 | 1/15 | 1,050 | 1,180 | 800 | 36 | 40 | 7 | HD3D-1250 | NS | 520401 | 60 |
| 15 | 480 | 1 | 31.3 | 480 | 1 | 1/15 | 1,050 | 1,330 | 900 | 32 | 45 | 7 | HD3D-1500 | NS | 520410 | 60 |
| 15 | 208 | 3 | 41.7 | 208 | 1 | 1/15 | 1,050 | 1,330 | 900 | 32 | 45 | 7 | HD3D-1500 | NS | 520428 | 60 |
| 15 | 240 | 3 | 36.1 | 240 | 1 | 1/15 | 1,050 | 1,330 | 900 | 32 | 45 | 7 | HD3D-1500 | NS | 520436 | 60 |
| 15 | 480 | 3 | 18.1 | 480 | 1 | 1/15 | 1,050 | 1,330 | 900 | 32 | 45 | 7 | HD3D-1500[†] | S | 520444 | 60 |
| 15 | 480 | 3 | 18.1 | 480 | 1 | 1/15 | 1,050 | 1,330 | 900 | 32 | 45 | 7 | HD3D-1500 TSP^{**} | S | 520452 | 61 |
| 15 | 575 | 3 | 15.1 | 575 | 1 | 1/15 | 1,050 | 1,330 | 900 | 32 | 45 | 7 | HD3D-1500 | NS | 520460 | 60 |
| 19.5 | 240 | 3 | 47.0 | 240 | 1 | 1/15 | 1,050 | 1,330 | 900 | 42 | 45 | 7 | HD3D-2000 | NS | 520479 | 60 |
| 20 | 480 | 1 | 41.7 | 480 | 1 | 1/15 | 1,050 | 1,330 | 900 | 42 | 45 | 7 | HD3D-2000 | NS | 520487 | 60 |
| 20 | 480 | 3 | 24.1 | 480 | 1 | 1/15 | 1,050 | 1,330 | 900 | 42 | 45 | 7 | HD3D-2000[†] | S | 520495 | 60 |
| 20 | 480 | 3 | 24.1 | 480 | 1 | 1/15 | 1,050 | 1,330 | 900 | 42 | 45 | 7 | HD3D-2000 TSP^{**} | S | 520508 | 61 |
| 20 | 575 | 3 | 20.1 | 575 | 1 | 1/15 | 1,050 | 1,330 | 900 | 42 | 45 | 7 | HD3D-2000 | NS | 520516 | 60 |
| 25 | 480 | 3 | 30.1 | 480 | 3 | 1/3 | 1,725 | 2,700 | 1110 | 31 | 48 | 7 | HD3D-2500 | S | 520524 | 80 |
| 25 | 575 | 3 | 25.1 | 575 | 3 | 1/3 | 1,550 | 1,800 | 740 | 42 | 48 | 7 | HD3D-2500 | NS | 520532 | 80 |
| 30 | 480 | 3 | 36.1 | 480 | 3 | 1/3 | 1,725 | 2,700 | 1110 | 37 | 48 | 7 | HD3D-3000 | S | 520540 | 80 |
| 30 | 575 | 3 | 30.2 | 575 | 3 | 1/3 | 1,550 | 1,800 | 740 | 50 | 48 | 7 | HD3D-3000 | NS | 520559 | 80 |
| 35 | 480 | 3 | 42.1 | 480 | 3 | 1/3 | 1,725 | 2,700 | 1110 | 43 | 48 | 7 | HD3D-3500 | NS | 520567 | 80 |
| 35 | 575 | 3 | 35.2 | 575 | 3 | 1/3 | 1,550 | 1,800 | 740 | 57 | 48 | 7 | HD3D-3500 | NS | 520575 | 80 |
| 39 | 480 | 3 | 47.0 | 480 | 3 | 1/3 | 1,725 | 2,700 | 1110 | 50 | 48 | 7 | HD3D-4000 | S | 520583 | 80 |
| 39 | 575 | 3 | 39.2 | 575 | 3 | 1/3 | 1,550 | 1,800 | 740 | 65 | 48 | 7 | HD3D-4000 | NS | 520591 | 80 |

Stock Status: S = stock AS = assembly stock NS = non-stock
To Order—Specify model, PCN, kW, volts, phase and quantity.

*HD3D Series heaters with TSP suffix includes thermostat, selector switch and pilot light.

[†]Models can be field re-wired for use on single phase

**Mounting height if mounted for horizontal airflow. For vertical mounting, minimum height is 10'.

Sales • Engineering

Heat and Control
Specialists

GORDO SALES, INC.

P.O. Box 1166 Layton, UT 84041
 Phone: 801-544-4236 Fax: 888-264-0740
<http://www.gordosales.com>
huggins@gordosales.com