

OGDEN INSTRUCTION MANUAL

PANEL MOUNT ETR-4 TEMPERATURE CONTROL

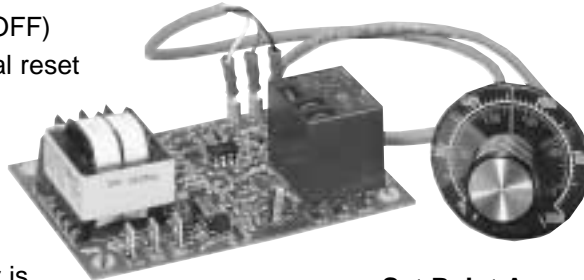
SPECIFICATIONS:

INPUT

- Type J or Type K thermocouple with cold junction compensation or RTD, PT 100 ohm DIN
 - Dual scale 0-1000°F, 0-500°C Type J (ETR-4-01,02)
 - Dual scale 0-2000°F, 0-1100°C Type K (ETR-4-03)
 - Dual scale 32-750°F, 0-400°C RTD, Two Wire, PT 100 ohm DIN (ETR-4-05)
- Output de-energizes on sensor break

OUTPUT

- SPDT 20 amp Relay (ON-OFF)
- Latching output with manual reset when specified as latching control (ETR-4-02,02,05)



INDICATION

- Red power light ON, power is applied
- Yellow load light ON, heater on

CONTROL MODE

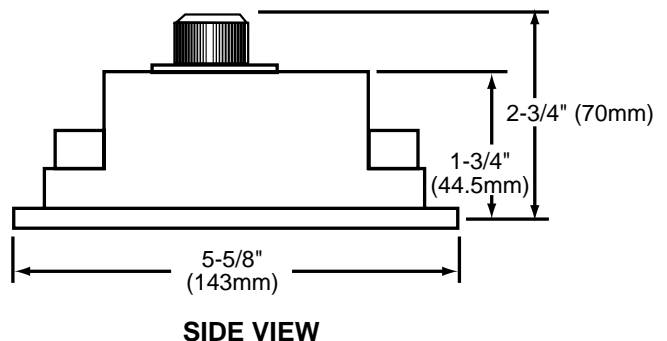
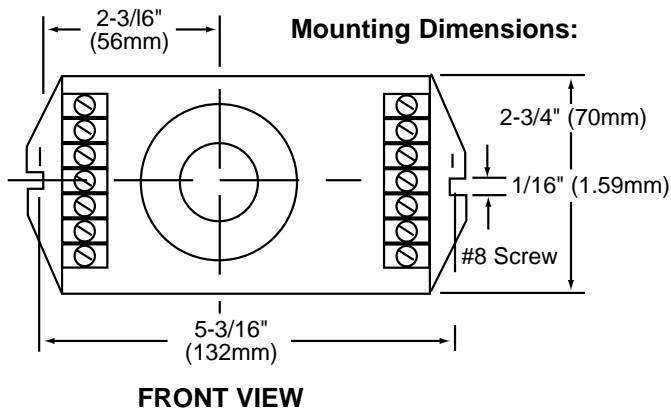
- Proportional band fixed at 2½% of scale
Standard cycle time, 20 seconds
- On/Off
Hysteresis 0.5% of scale symmetrically above and below set point

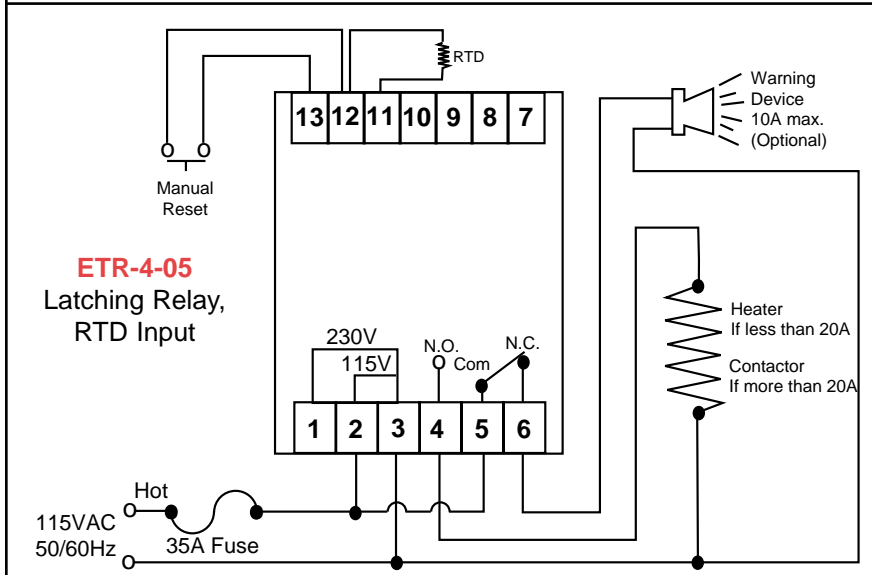
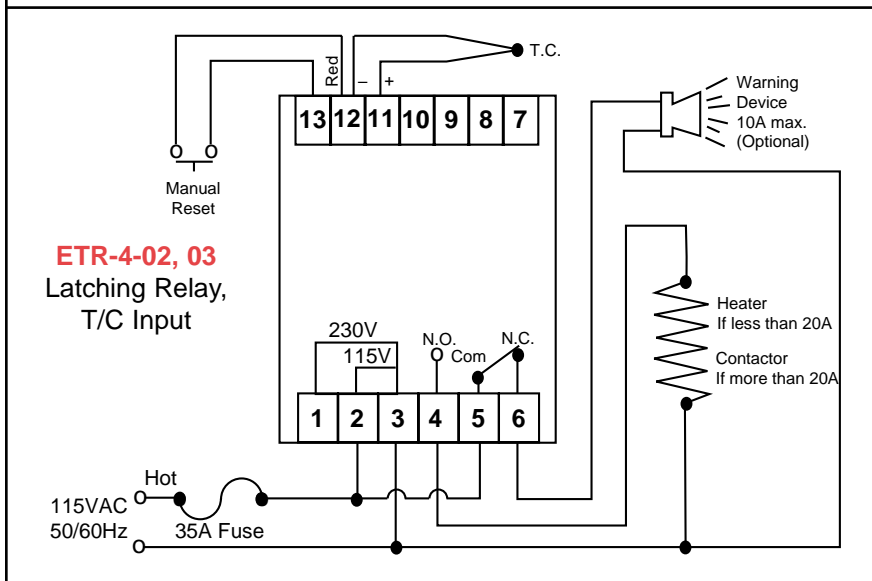
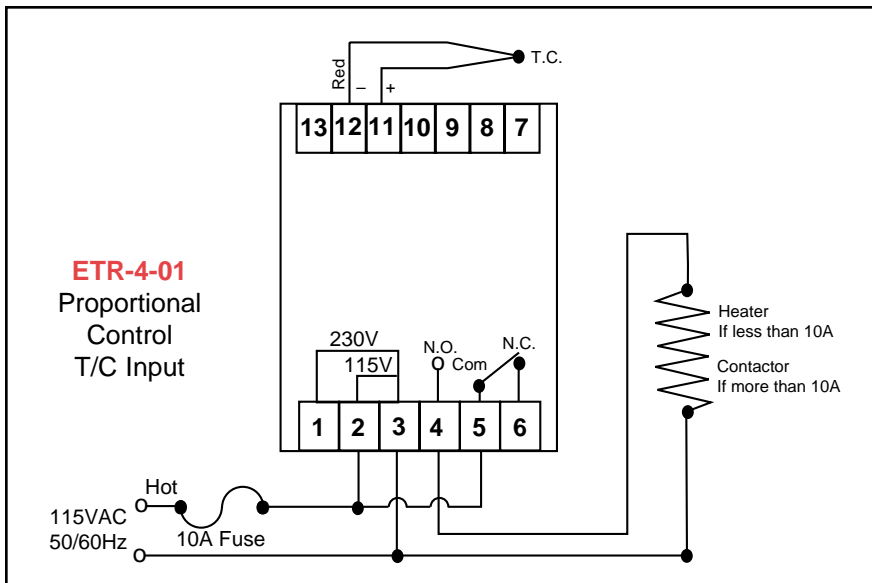
SET POINT METHOD

- Analog potentiometer, remote or local with dual scale temperature range



- Set Point Accuracy:** ±1% of scale
- Set Point Resolution:** 0.3% of scale
- Wiring:** Screw terminal strips
- Common Mode Rejection:** 60dB
- Normal Mode Rejection:** 120dB
- Input Impedance:** 20M ohms
- Dielectric Strength:** 2000VAC, 50/60Hz, 1 minute
- Vibration:** 10-55Hz, Amplitude 1.0mm
- Shock:** 660 ft/S² (20g)
- Line Voltage:** 115/230VAC, ±10%. 50-60Hz field selectable
- Operating Condition:** 32-130°F (0-55°C), 0-90% RH, non-condensing
- Weight:** .75 lbs. (320gr)





TROUBLESHOOTING

Experience has proven that many control problems are not caused by a defective instrument. See below for some of the common causes of failures:

Line wires are improperly connected.

No voltage between line terminals
Incorrect voltage between line terminals.

Connections to terminals are open, missing or loose.

Thermocouple is open at tip.

Thermocouple lead is broken.

Shorted thermocouple leads.

Short across terminals.

Open or shorted heater circuit.

Open coil in external contactor.

Burned out line fuses.

Defective line switches.

Burned out contactor.

Defective circuit breakers.

If these points have been checked and the controller still does not function, it is suggested that the instrument be returned to the factory for inspection.

Do not attempt to make repairs. It usually creates costly damage. Also, it is advisable to use adequate packing materials to prevent damage in shipment.

Return Control to:
OGDEN MANUFACTURING CO.
ATTN: Repair Department
64 W. Seegers Road
Arlington Heights, IL 60005

Sales • Engineering

"Heat and Control
Specialists"



GORDO SALES, INC.

P.O. Box 1166 Layton, UT 84041
Phone: (801) 544-4236 Fax: (801) 546-1492
<http://www.gordosales.com>

OGDEN and ETR are registered trademarks of Ogden Manufacturing Co.

Printed In U.S.A. 11/97

Specifications subject to change without notice.