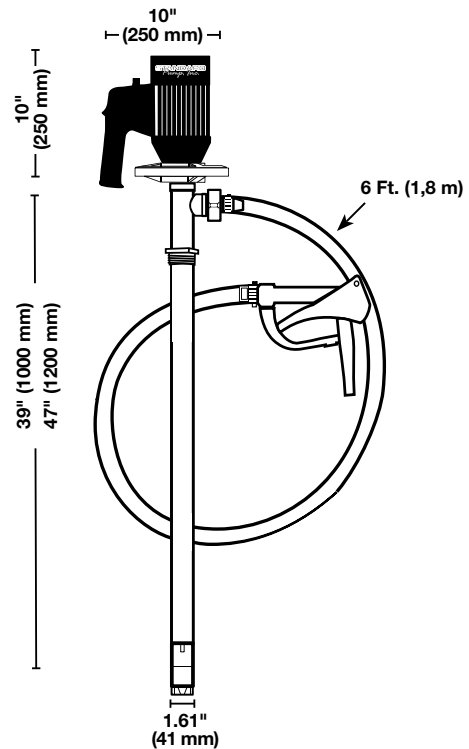


# Industrial Drum Pump Packages

## PUMP PACKAGE 1 Water Treatment Chemicals



### Technical Specifications

**Package:** .....Motor, Pump, Hose, Storage Bracket  
Barrel Adapter & Hand Nozzle

**Motor Type:** .....Open Drip Proof (IP 44)

**Pump Assembly:** .....CPVC

**Pump Length:**..... 39" (1000 mm) or 47" (1200 mm)

**Discharge Hose:**..... PVC, 6 ft (1,8 m), 1" (25 mm) I.D.

**Hand Nozzle:** .....Polypropylene, 1" (25 mm)

**Maximum Flow Rate:**..... 15 GPM (57 LPM) *based on water*

**Maximum Viscosity:** ..... 1500 cps (mPas)

**Maximum Temperature:** .....190° F (88° C)

**Shipping Weight:**.....22 lbs. (9,97 kg)

### Package Numbers:

Drums:

| Pkg P/N | Motor       | Volts | Pump Tube  |
|---------|-------------|-------|------------|
| 9430    | SP-280P-V   | 110V  | SP-CPVC-39 |
| 9431    | SP-280P-2-V | 220V  | SP-CPVC-39 |

Tanks:

| Pkg P/N | Motor       | Volts | Pump Tube  |
|---------|-------------|-------|------------|
| 9432    | SP-280P-V   | 110V  | SP-CPVC-47 |
| 9433    | SP-280P-2-V | 220V  | SP-CPVC-47 |

**STANDARD**  
*Pumps, Inc.*

[www.standardpump.com](http://www.standardpump.com)

Toll Free: 1-866-558-8611

Tel 770-307-1003