

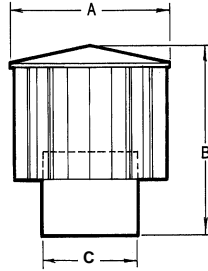
ACCESSORIES

— FOR SUNSTAR TUBE HEATERS —



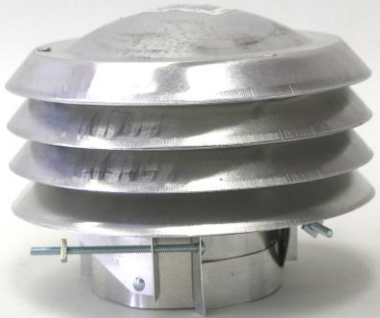
■ VENT CAP – SIDEWALL OR ROOF

Unique design prevents back drafts and assists in drawing off and exhausting the products of combustion regardless of wind direction • Heavy-gauge aluminum construction • Riveted at all major stress points for durability and service • Fits Type B flue pipe.



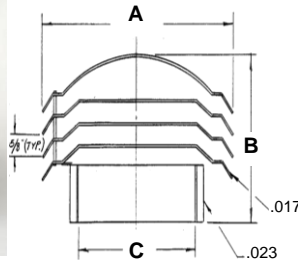
ORDERING INFORMATION

| PART NO. | FITS PIPE | DIMENSIONS | | | SHIPPING WEIGHT (ea.) |
|----------|-----------|------------|---------|----|-----------------------|
| | | A | B | C | |
| 30297040 | 4" | 8-1/2" | 8-1/4" | 4" | 1-1/2 lbs. |
| 30297060 | 6" | 10-1/2" | 9-1/4" | 6" | 4 lbs. |
| 30297080 | 8" | 12-1/2" | 12-3/4" | 8" | 4-1/8 lbs. |



■ COMBUSTION AIR TERMINATION CAP

Heavy gauge aluminum construction • Eliminates downward draft • Fits Type B or Single Wall flue pipe • For Fresh Air (Combustion Air) duct termination.



ORDERING INFORMATION

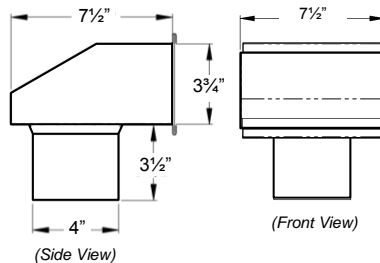
| PART NO. | DIMENSIONS | | | SHIPPING WEIGHT (ea.) |
|----------|------------|--------|----|-----------------------|
| | A | B | C | |
| 41000020 | 6-3/4" | 4-1/4" | 4" | 1-1/2 lbs. |
| 41000000 | 9-1/2" | 5" | 6" | 3 lbs. |
| 41000010 | 12" | 7" | 8" | 5 lbs. |

4" for SIR & SPS/SPU & SIS/SIU



■ EXHAUST HOOD

Used for indirect vented applications • Directs the heat away from the draft inducer • Includes bird screen • Heavy gauge aluminized steel construction.



ORDERING INFORMATION

| MODEL NO. | PART NO. | SHIPPING WEIGHT (ea.) |
|---------------------|----------|-----------------------|
| SIS/SIU, SIR SERIES | 42924000 | 5 lbs. |



■ LINE PRESSURE REGULATORS – Up To 2 psig

Durable, corrosion-resistant construction • Equipped with 12A09 Vent Limiting Device
 • In the event of diaphragm rupture, gas escapement is limited to a non-hazardous level • Must be installed on a horizontal plane.

ORDERING INFORMATION

| USE | MODEL | PART NO. | PIPE CONNECTIONS | MAXIMUM INLET PRESSURE | OUTLET PRESSURE | SHIPPING WEIGHT (each) |
|----------------------------------|--------|----------|------------------|------------------------|-----------------|------------------------|
| For heaters up to 200,000 BTU/HR | 325-3L | 03307260 | 1/2" x 1/2" | 2 psig | 7" W.C. | 2 lbs. |



■ LINE PRESSURE REGULATORS – Above 2 psig

Heavy-duty construction • High Capacity Internal Relief • Inlet and Outlet Pressure Taps for easy system checks • Must be vented to the outside.

ORDERING INFORMATION

| PART NO. | MODEL | PIPE CONNECTIONS | MAXIMUM INLET PRESSURE | OUTLET PRESSURE | SHIPPING WEIGHT (each) |
|----------|----------|------------------|------------------------|-----------------|------------------------|
| 03483070 | R622-BCF | 1/2" x 1/2" | 10 psig | 11" W.C. | 2 lbs. |



■ FLEXIBLE CONNECTOR

CSA Listed stainless steel gas connector

ORDERING INFORMATION

| USE | PART NO. | LENGTH | I.D. | SHIPPING WEIGHT (each) |
|----------------------------------|----------|--------|------|------------------------|
| For heaters up to 200,000 BTU/HR | 30302360 | 36" | 1/2" | 1 lb. |



■ ECONOMY Line Voltage Thermostat

Part #30348020

SPECIFICATIONS

- Temperature range 50°F to 90°F with $\pm 4^\circ\text{F}$ differential
- 22 amp full load
- Capable of controlling up to 7 Space-Ray infrared tube heaters
- UL Listed/CSA Certified

FEATURES

Economically priced • Durable, bi-metallic heat sensing element • Simple connections with easy-to-reach wiring terminals • Easy to mount, fits flat on wall with one-inch recess in wiring box.



HEAVY DUTY Line Voltage Thermostat

Part #03209000

SPECIFICATIONS

- Temperature range 35°F to 95°F with $\pm 2^\circ\text{F}$ differential
- 16 amp full load
- Capable of controlling up to 6 Space-Ray infrared tube heaters
- UL Listed/CSA Certified

FEATURES

Sealed, dust protected SPDT switch • Sensing element treated against corrosion and firmly attached to top of thermostat, providing uniform control at ambient temperatures • Dependable single-pole, double-throw snap acting contacts in steel, dust-tight, NEMA 1 enclosure • Close differential for critical requirements • Adjustable cutout stop.



HIGH HUMIDITY ENVIRONMENT Line Voltage Thermostat

Part #30525000

SPECIFICATIONS

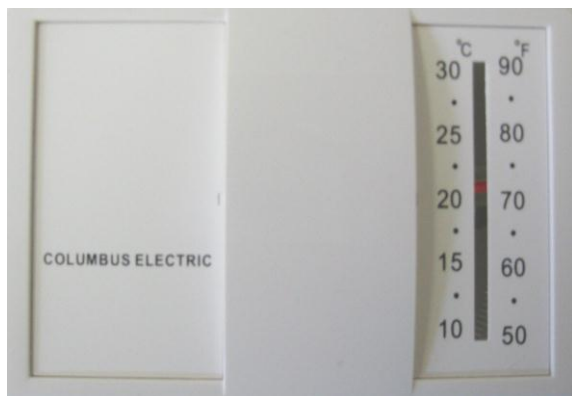
- Temperature range 40°F to 104°F with $\pm 2.5^\circ\text{F}$ differential
- 16 amp full load
- Capable of controlling up to 6 Space-Ray infrared tube heaters
- UL Listed/CSA Certified

FEATURES

Recommended for car washes, agricultural buildings, water treatment plants - any high-humidity, corrosive atmosphere • Quality constructed thermostat designed for use in harsh environments • Watertight ABS plastic meets NEMA 4x and NEC Article 547-4 requirements • Responsive, durable, 316 stainless steel, side-mounted sensing coil • Adjustable dial allows thermostat to be recalibrated • Single SPDT switch.

24 VOLT THERMOSTAT

Part #30562000



SPECIFICATIONS

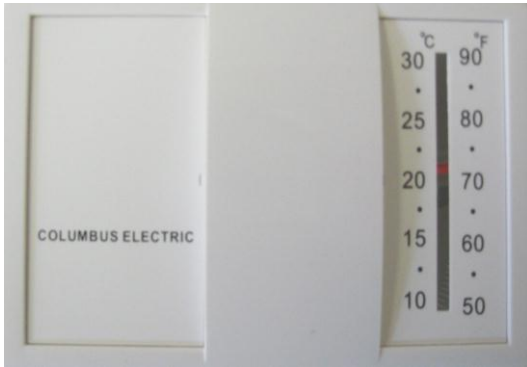
- Temperature Range 50°F to 90°F with $\pm 4^\circ\text{F}$ differential
- Adjustable Heat Anticipator 24 volts 0.1 to 1.0 Amps
- Individual Heater Operation – Requires Relay Kit
- UL Listed/CSA Certified

FEATURES

Hermetically sealed Reed Switch operated by a magnet attached to coiled bimetal • Snap-action operation makes precise leveling of the thermostat unnecessary • Universal mounting ...vertical and horizontal faceplates included • Use with 24-Volt Thermostat Relay Kit (Part #43274020 for **SIR** Series) or (Part #43274300 for **SIS** and **SIU** Series) to control one SunStar infrared tube heater.

■ MILLIVOLT THERMOSTAT

Part #42489010



SPECIFICATIONS

- Temperature Range 50°F to 90°F with $\pm 4^\circ\text{F}$ differential
- Adjustable Heat Anticipator 24 volts 0.1 to 1.0 Amps
- Individual Heater Operation for **SGM** Series only.
- UL Listed/CSA Certified

FEATURES

Hermetically sealed Reed Switch operated by a magnet attached to coiled bimetal • Snap-action operation makes precise leveling of the thermostat unnecessary • Universal mounting faceplates included • To be used with Starglo Millivolt (**SGM** Series) Ceramic Heaters and a 20' thermostat wire.

■ NIGHT SETBACK THERMOSTAT

Part #43240500



SPECIFICATIONS

- Digital Programmable **Line Voltage** thermostat for Single Stage Heaters
- Self-contained Locked Cabinet
- 4 different program periods per day
- 5/2 day programming
- Capable of controlling up to 6 SunStar tube heaters
- Temperature Range 45°F and 90°F with $\pm 1^\circ\text{F}$ differential
- Battery Backup to assure memory retention during power interruptions
- Temporary temperature override



■ TWO STAGE DIGITAL SETBACK THERMOSTAT

Part #30644100



SPECIFICATIONS

- For modulating two stage heaters- **N7** or **L7** Control
- 24V Digital Night Setback Thermostat with Large hybrid dot matrix display
- Temperature Range 40°F and 90°F with $\pm 1^\circ\text{F}$ differential
- 7 day programming & 4 periods per day with Night Setback function
- ENERGY STAR Compliant • Temporary override, Hold & Vacation hold
- Optional smart recovery • Advanced copy function for fast easy programming
- Temperature offset (user calibration) • Programmable length minimum run time
- Multi-stage adjustable temperature differential/cycle rate $\pm 2.25^\circ\text{F}$ differential
- Dual power capable (system/battery) • Daylight savings button
- Multimode keyboard lockout with user programmable 3 Digit Code

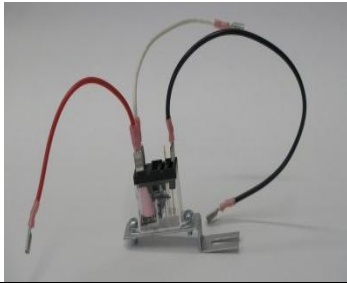


■ TWO STAGE ECONOMY THERMOSTAT

Part #30348100

SPECIFICATIONS

- For modulating two stage heaters- **N7** or **L7** Control
- Temperature Range 50°F and 90°F with ± 4°F differential
- 24V Mechanical Thermostat
- Bi-Metallic heat sensing element
- Easy to mount, fits flat with one-inch recess in wiring box
- Non adjustable differential
- Economically priced. To be used when a **mechanical** thermostat is specified



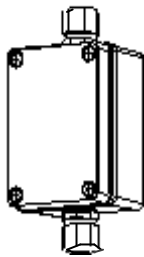
■ 24V THERMOSTAT RELAY KIT

To control one SunStar infrared tube heater with a 24V Thermostat.

ORDERING INFORMATION

| | |
|----------|--------------------|
| 43274020 | for SIR Series |
| 43274030 | For SIS/SIU Series |

SPS/SPU Series can be externally connected with a single 24V Thermostat and does not require a 24V thermostat Relay Kit.



■ TWO STAGE THERMOSTAT RELAY KIT

Part# 44195000

Required when controlling multiple Two Stage heaters (N7 / L7 Controls) with a single 24V Two Stage Thermostat. One relay kit per heater required. Supplied with ABS Enclosure and mounted externally.



■ THERMOSTAT ENCLOSURE

Part# 43244010

- Heavy Duty metal thermostat enclosure - tamperproof
- Hinged access door with locking cover
- Can be used with any thermostat
- Prevents direct radiant energy affecting the thermostat sensor.
- Enclosure dimensions 9 ½" X 5 ½" 4"



■ Chain Kits

ORDERING INFORMATION

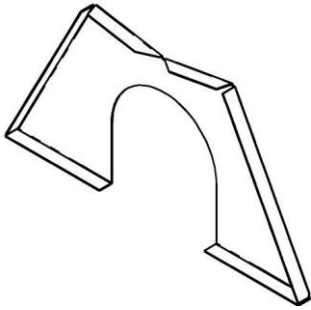
| Part No. | Part Description |
|----------|--|
| 41690250 | Chain Kit – 25 ft. chain with 12 S-hooks |
| 41690350 | Chain Kit – 35 ft. chain with 12 S-hooks (50' straight heaters) |
| 41690120 | Chain Kit – for SIR Series Tube Heaters or SG and SGM Series Ceramic Heaters, 12 ft. chain with 8 S-hooks |



MANUAL CUTOFF VALVE

ORDERING INFORMATION

| | |
|----------|---------------------------------|
| 30285000 | CSA listed ball valve, 1/2" NPT |
|----------|---------------------------------|

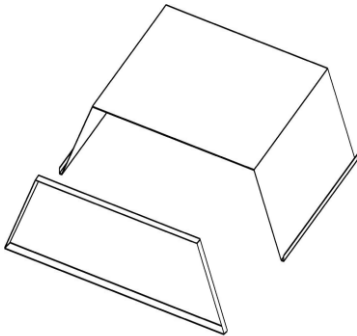


END REFLECTOR KIT

Part #43341010

Designed to cover both ends of the tubes to increase radiant output

- For **SIS** Series (includes 2 end reflectors and 8 speed clips)
- To be installed at both ends
- Order 2 kits for **SIU** Series Heaters

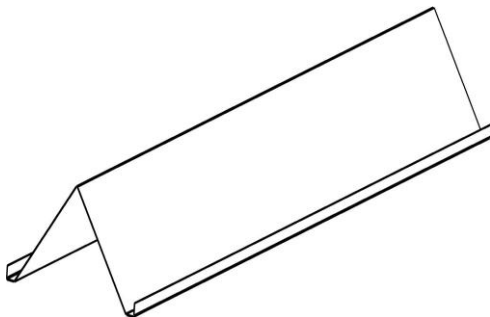


U-BEND REFLECTOR KIT

Part #43488000

Designed to cover the end of the U-tube and reduce the clearance to combustibles above the heater from 18" to 6"

- For **SIU** Series (includes 11 speed clips)



DEFLECTOR KIT

Designed to reduce the clearance to combustibles below the heater

- For **SIS** Series, 10' long (with predrilled holes)
- For **SIR** Series, 8' long (with predrilled holes)

| Part No. | Part Description |
|----------|--------------------------|
| 43482010 | Deflector Kit – 10' long |
| 43504010 | Deflector Kit – 8' long |

Sales • Engineering
"Heat and Control
Specialists"



GORDO SALES, INC.

P.O. Box 1166 Layton, UT 84041
Phone: 801-544-4236 Fax: 888-264-0740
<http://www.gordosales.com>