

# PANEL MOUNT ETR-4 TEMPERATURE CONTROL

## INPUT

- Type J or Type K thermocouple with cold junction compensation or RTD, PT 100 ohm DIN
  - Dual scale 0-1000°F, 0-500°C Type J
  - Dual scale 0-2000°F, 0-1100°C Type K
  - Dual scale 32-750°F, 0-400°C RTD, PT 100 ohm DIN
- Output de-energizes on sensor break

## OUTPUT

- SPDT 20 amp Relay, 240VAC maximum
- Latching output with manual reset when specified. Remote manual reset switch available – ordered separately (PB-1)

## INDICATION

- Red LED - Power on
- Yellow LED - Load on

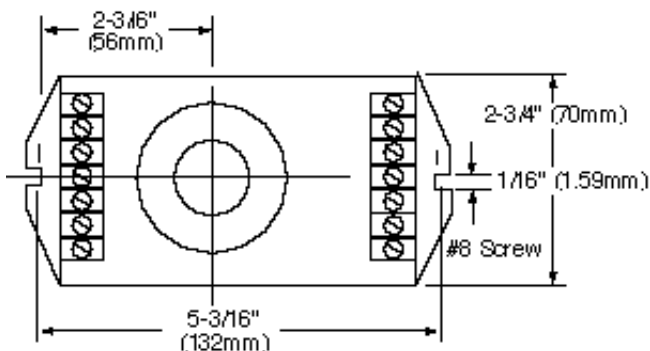
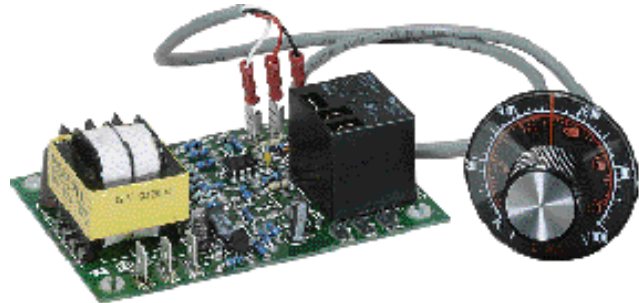
## CONTROL MODE

- Proportional band fixed at 2½% of scale
  - Standard cycle time, 20 seconds
- On/Off
  - Hysteresis 0.5% of scale symmetrically above and below set point

## SET POINT METHOD

- Analog potentiometer, remote or local with dual scale temperature range

- Set Point Accuracy:** ± 1% of scale
- Set Point Resolution:** 0.3% of scale
- Wiring:** Screw terminal strips
- Common Mode Rejection:** 60dB
- Normal Mode Rejection:** 120dB
- Input Impedance:** 10M ohms
- Dielectric Strength:** 2000VAC, 50/60Hz, 1 minute
- Vibration:** 10 - 55Hz, Amplitude 1.0mm
- Shock:** 660 ft/S<sup>2</sup> (20g)
- Line Voltage:** 115/230VAC, ± 10%. 50 - 60Hz field selectable
- Operating Condition:** 32 - 130°F (0 - 55°C), 0 - 90% RH



Sales • Engineering  
"Heat and Control  
Specialists"



**GORDO SALES, INC.**

P.O. Box 1166 Layton, UT 84041  
Phone: (801) 544-4236 Fax: (801) 546-1492  
<http://www.gordosales.com>