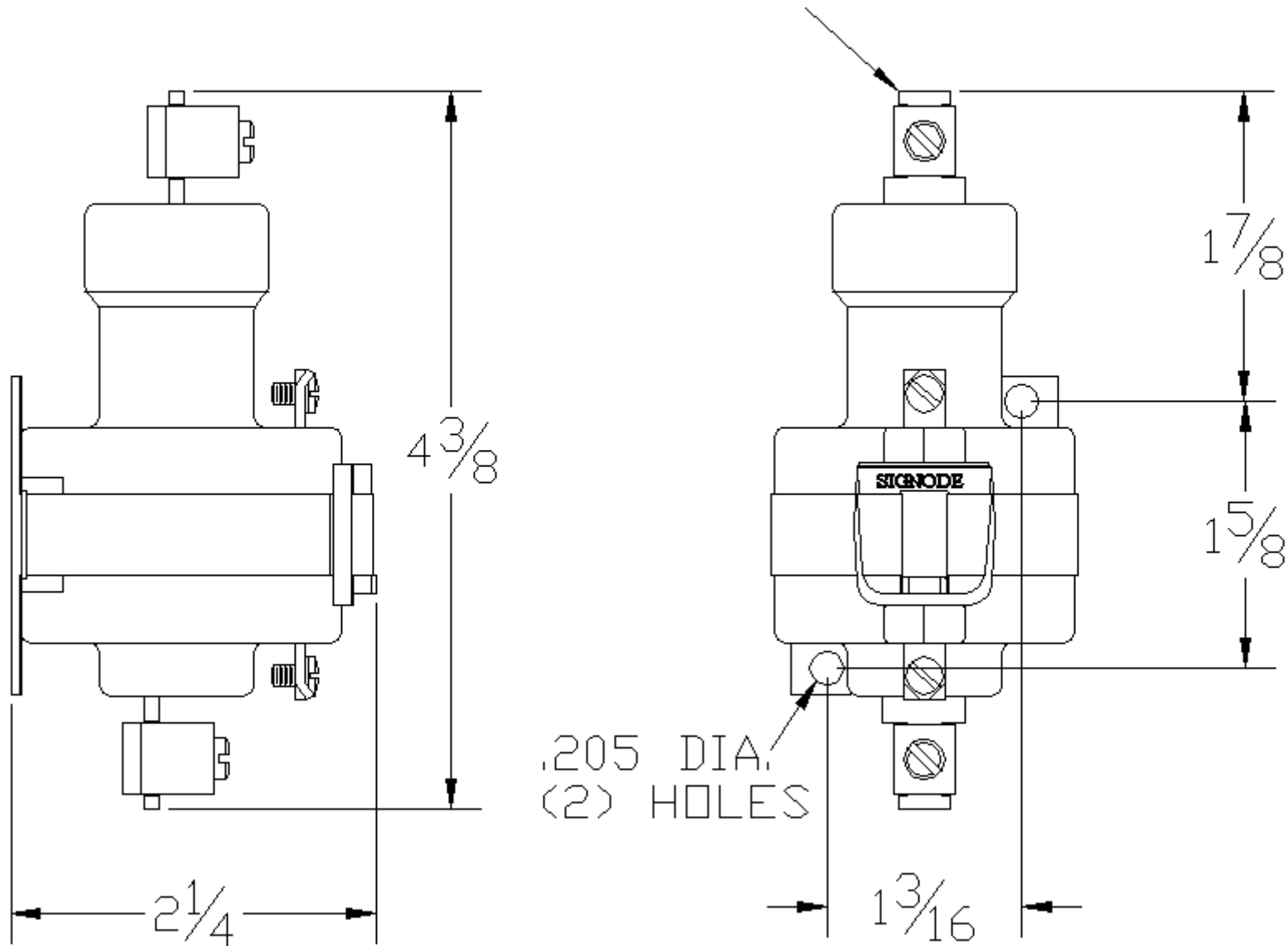


LOAD CONNECTORS: #4 TO #14 AWG FOR 35 AMP
AND #2 TO #8 AWG FOR 60 AMP



35/60 AMP M.D.I. CONTACTOR